

# *Intelligent Vibration Sensor*

## Datasheet



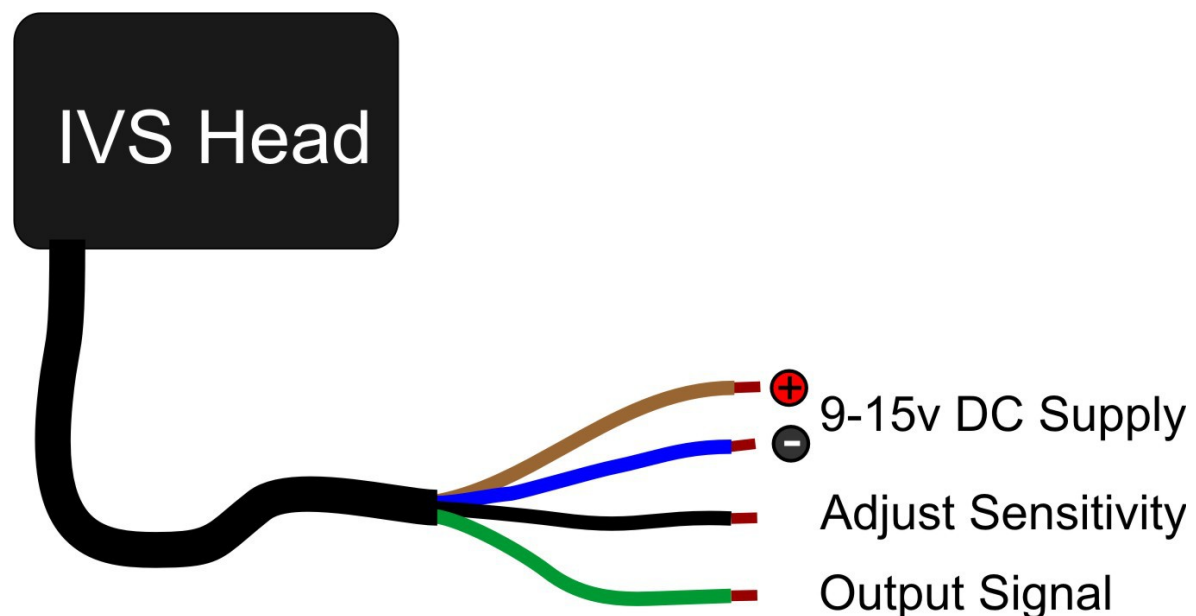
Traditional vibration sensors are difficult to calibrate and they tend to require periodic adjustment. The IVS (Intelligent Vibration Sensor) incorporates advanced digital signal processing to evaluate raw signals from an internal vibration sensor device, allowing accurate adjustment of sensitivity.

### *Product Highlights*

- Ruggedized device – resin potted, outdoor proof
- Adjustable sensitivity
- Sensitive to Shock, Vibration and Tilt
- Low power
- Low cost

### *How does it work?*

The IVS Head is strapped to the equipment to be monitored. The IVS comes with a cable containing 4 wires. Two are for power, one is for output signal, and the last one is where the sensitivity is adjusted.

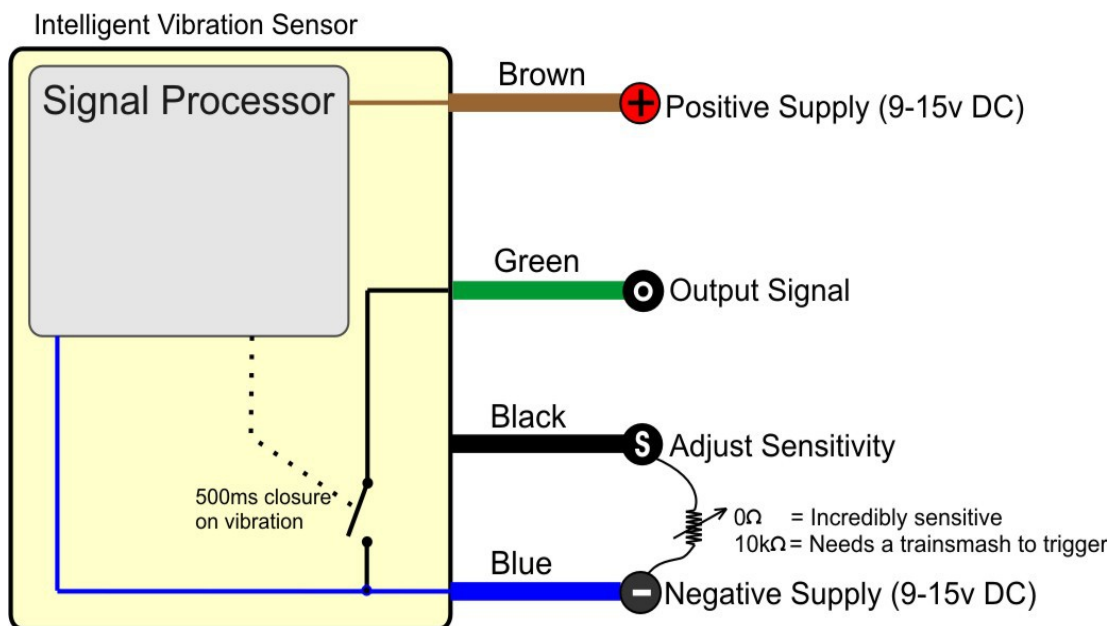


## Application Areas

The wide sensitivity adjustment range makes the IVS suitable for a very wide range of applications:

- Cable theft
- Fences
- Pylons
- Metering kiosks
- Mini-substations
- Doors / gates

## Connection



## Specifications

<b>Power Supply</b>	9-15V DC (1mA)
<b>Head Dimensions</b>	65 x 30 x 20mm
<b>Mounting</b>	Cable tie
<b>Weight</b>	50gram
<b>IP rating</b>	IP67 Potted
<b>Cable</b>	2m 4core cabtyre
<b>Output Transistor current rating</b>	50mA

## Product Codes:

Standard IVS: *IVS002*